



PARTS BREAKDOWN

HOT WATER PRESSURE WASHER

MODEL:HW3024HG12V



BEPOWEREQUIPMENT

.COM

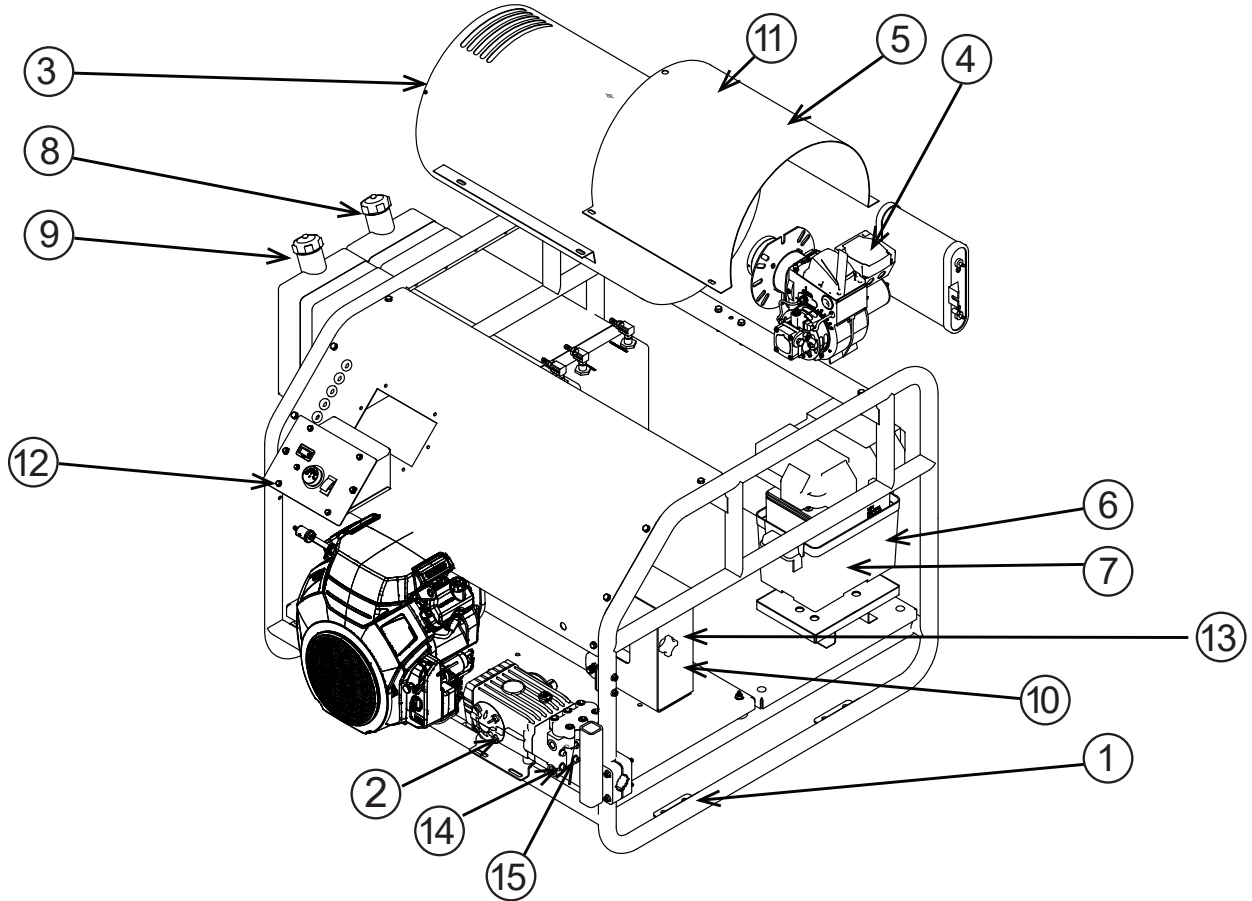


PARTS BREAKDOWN

HOT WATER PRESSURE WASHER

MODEL:HW3024HG12V

UNIT OVERVIEW



REF #	DESCRIPTION	QTY	BE PART #
1	Frame Assembly	1	85.600.240
2	Pump Assembly, General Pump TSF2021	1	85.130.071B
3	Heater Coil, 8.0 GPM Flow Rate	1	59.000.208
4	Burner Assembly	1	59.110.016
5	Burner Hood	1	59.000.201
6	Battery Box	1	85.603.101
7	AGM Battery	1	85.603.100
8	14.4 Gallon Diesel Fuel Tank (Yellow)	1	85.601.040
9	14.4 Gallon Gasoline Fuel Tank	1	85.601.041
10	Belt Guard	1	85.602.223
11	Coil Insulation Blanket	1	59.000.008
12	Control Box	1	SEE PAGE 3
13	Belts 3VX450	4	47.002.045
14	Pump Unloader Assembly	1	85.300.033
15	Pump Pressure Switch	1	85.300.082

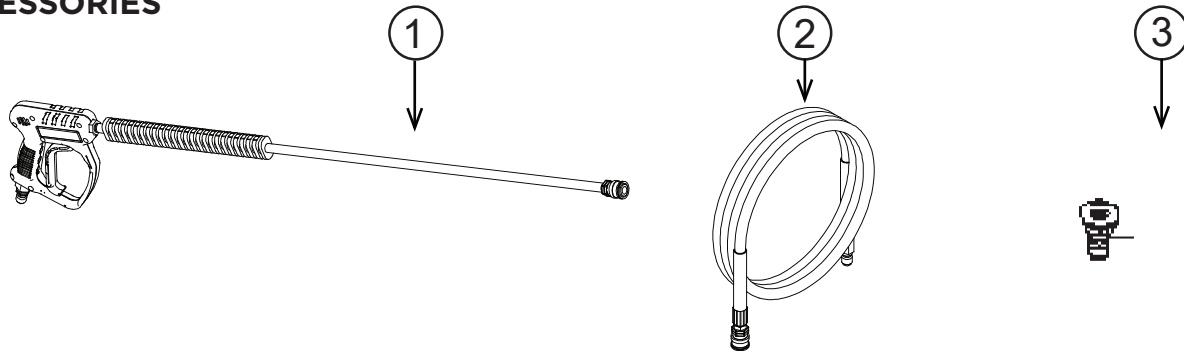


PARTS BREAKDOWN

HOT WATER PRESSURE WASHER

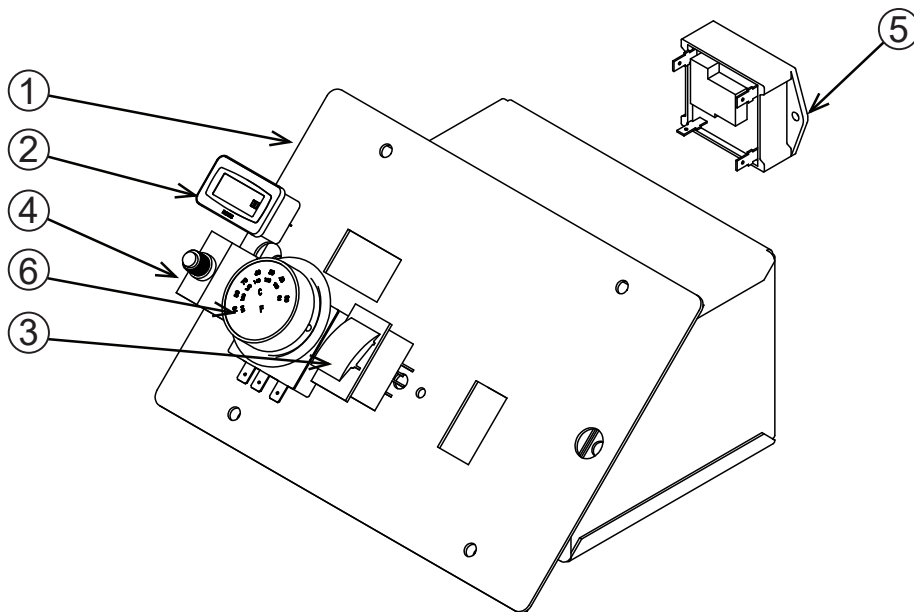
MODEL:HW3024HG12V

ACCESSORIES



REF #	DESCRIPTION	QTY	BE PART #
1	Gun Wand Assembly	1	85.205.066H
2	Pressure Hose, 50' x 3/8"	1	85.238.251
3	Nozzle Set, 5pce	1	85.210.085H

CONTROL PANEL BOX



REF #	DESCRIPTION	QTY	BE PART #
1	Control Box Frame	1	85.200.231
2	Hour Meter	1	59.000.206
3	Toggle ON/OFF Switch	1	59.000.103
4	Circuit Breaker, Push to Reset 25A	1	85.504.026
5	Low Voltage Relay	1	59.000.102
6	Thermostat	1	85.400.071

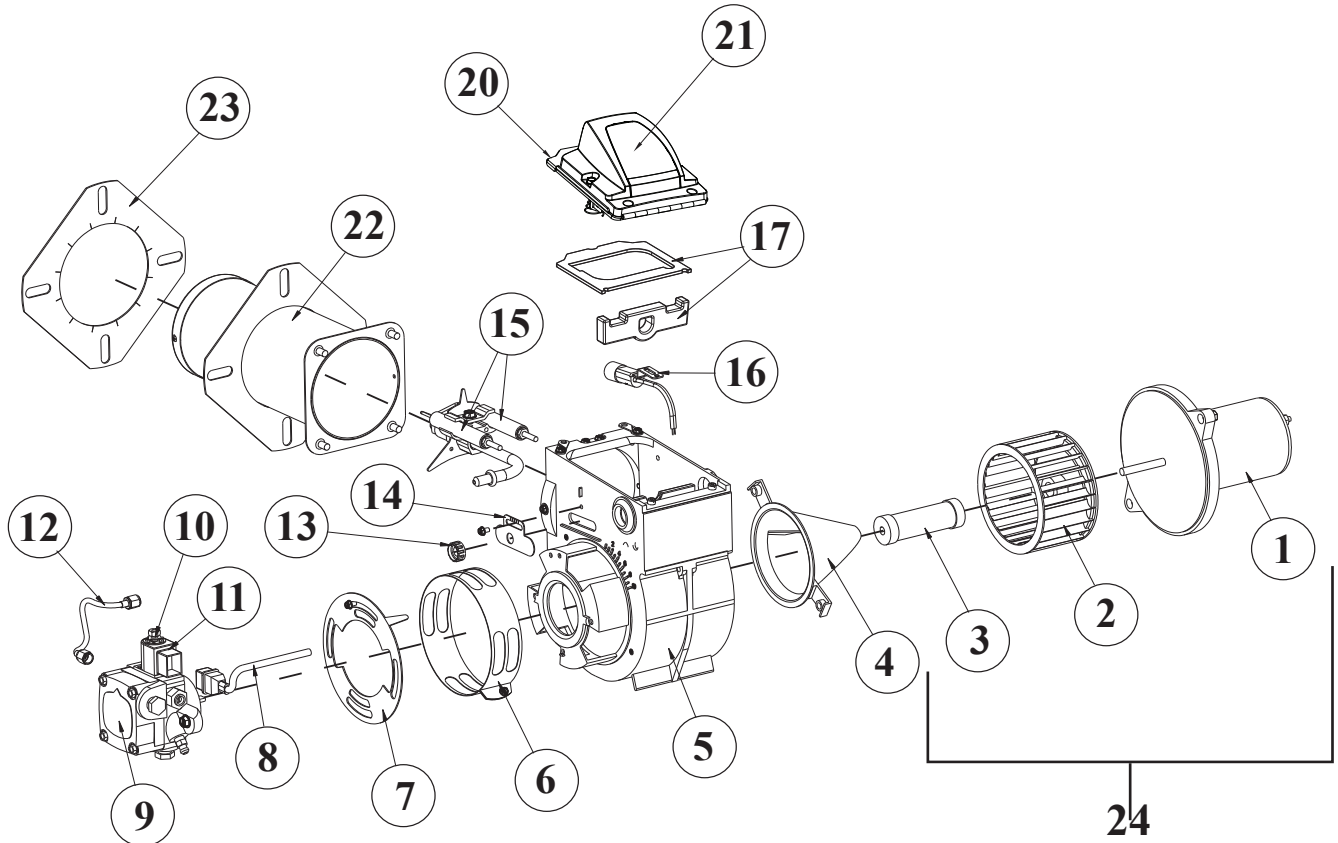


PARTS BREAKDOWN

HOT WATER PRESSURE WASHER

MODEL:HW3024HG12V

ADC BECKETT BURNER



REF #	DESCRIPTION	QTY	BE PART #
1	Blower Motor	1	59.110.004
2	Shaft Coupling	1	59.110.005
3	Fuel Pump	1	59.110.000
4,5,6	Fuel Solenoid	1	59.110.001
7	Electrode Assembly	1	59.110.002
8	Igniter	1	59.110.003
**	Complete Burner Assembly	1	59.110.016

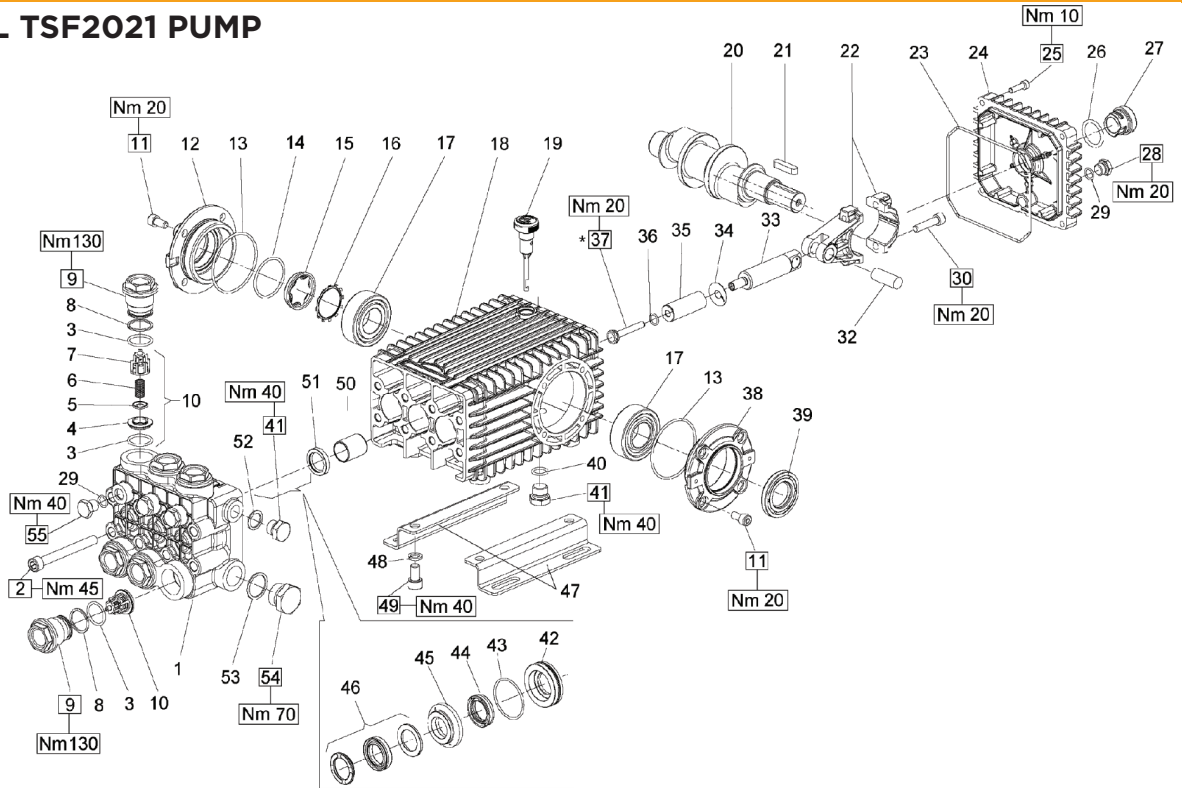


PARTS BREAKDOWN

HOT WATER PRESSURE WASHER

MODEL:HW3024HG12V

GENERAL TSF2021 PUMP



POS.	PART NO.	DESCRIPTION	QTY.	POS.	PART NO.	DESCRIPTION	QTY.	POS.	PART NO.	DESCRIPTION	QTY.
1	66124541	Manifold, Ø 18mm	1	22	66030001	Connecting Rod, Complete	3	43	90361600	O-ring, Ø 34.65x1.78	3
	66120041	Manifold, Ø 20mm	1	23	90392200	O-ring, Ø133.02x2.62	1	44	90265200	LP Seal, Ø 18mm	3
	66120141	Manifold, Ø 22 mm	1	24	66160022	Rear Cover	1		90269000	LP Seal, Ø 20mm	3
	66120241	Manifold, Ø 24mm	1	25	99188400	Screw, M6x20	4		90271500	LP Seal, Ø 22mm	3
	66124641	Manifold, Ø 28mm	1	26	90405100	O-ring, 26.58x3.53	1		90273800	LP Seal, Ø 24mm	3
2	99380100	Headbolt M10 x 90	8	27	63210051	Oil Level Indicator	1		90275300	LP Seal, Ø 28mm	3
3	90385700	O-ring, Ø 23.81x2.62	12	28	98204100	Plug, G1/4"x9	1	45	66216370	Intermediate Ring, Ø 18mm	3
4	36203366	Valve Seat	6	29	7010113	O-ring, Ø .426x.070	4		66216070	Intermediate Ring, Ø 20mm	3
5	36203476	Valve Poppet	6	30	99309900	Screw, M8x35	6		66216170	Intermediate Ring, Ø 22mm	3
6	94738800	Valve Spring Ø10x18x18.5	6	32	97740500	Wrist Pin, 14x39	3		66216470	Intermediate Ring, Ø 24mm	3
7	36203551	Valve Guide	6	33	66050064	Piston Guide	3		66220070	Intermediate Ring, Ø 28mm	3
8	90516500	Anti-ext ring Ø24.7x29x1.5	6	34	96710100	Flinger Washer	3	46	90265500	HP Seal, Ø 18mm	3
9	66130041	Plug, M32x1.5x29.5	6	35	66040309	Plunger, Ø 18mm	3		90269200	HP Seal, Ø 20mm	3
10	36712701	Valve Assy., Complete	6		66040009	Plunger, Ø 20mm	3		90271700	HP Seal, Ø 22mm	3
11	99303900	Screw M8 x 16	8		66040109	Plunger, Ø 22 mm	3		90274100	HP Seal, Ø 24mm	3
12	47151222	Cover	1		66040409	Plunger, Ø 24mm	3		90275400	HP Seal, Ø 28mm	3
13	90391300	O-ring, Ø67.95x2.62	2		66041009	Plunger, Ø 28mm	3	47	47200074	Pump Rail	2
14	90387700	O-ring, Ø 39.34x2.62	1	36	90358400	O-ring, Ø 10.82x1.78	3	48	96710600	Washer M10	4
15	70211801	Oil Sight Glass	1	37	66219566	Plunger Bolt	3	49	99364400	Screw M10 x 18	4
16	90075600	Retainer Clip	1	38	47151022	Side Cover, PTO	1	50	90912600	Guide Bushing	3
17	91838000	Bearing	2	39	90164800	Seal, Shaft	1	51	90162500	Seal, Plunger Rod	3
18	66010022	Crankcase	1	40	90383300	O-ring, Ø 13.95x2.62	1	52	96738000	Gasket, Aluminum 3/8"	1
19	98210600	Dipstick, vented	1	41	98210000	Plug 3/8 x 13	2	53	96770000	Washer	1
20	66021035	Crankshaft, 19mm Stroke, Dual Shaft	1	42	66080370	Seal Retainer, Ø 18mm	3	54	98226800	Plug, G3/4"x16	1
	66020035	Crankshaft, 19mm Stroke	1		66080070	Seal Retainer, Ø 20mm	3	55	98204300	Plug 1/4" x 13	3
	66020435	Crankshaft, 21mm Stroke	1		66080170	Seal Retainer, Ø 22mm	3				
21	91489200	Key, 9x7x35	1		66080470	Seal Retainer, Ø 24mm	3				
					66082570	Seal Retainer, Ø 28mm	3				

REPAIR KITS

REF #	DESCRIPTION	QTY	BE PART #
51	Seal, Plunger Rod (3 in kit)	3	RKI002
3,4,5,6,(10)	Valve internals (1 assembly in kit)	6	RKI003
9,10	Valve Kit with Kap (6 assemblies in kit)	1	RKI169
43,46	Seal Kit (3 assemblies in kit)	3	RKI171
42,43,44,45,46	Complete seal kit (1 assembly in kit)	3	RKI172



PARTS BREAKDOWN

HOT WATER PRESSURE WASHER

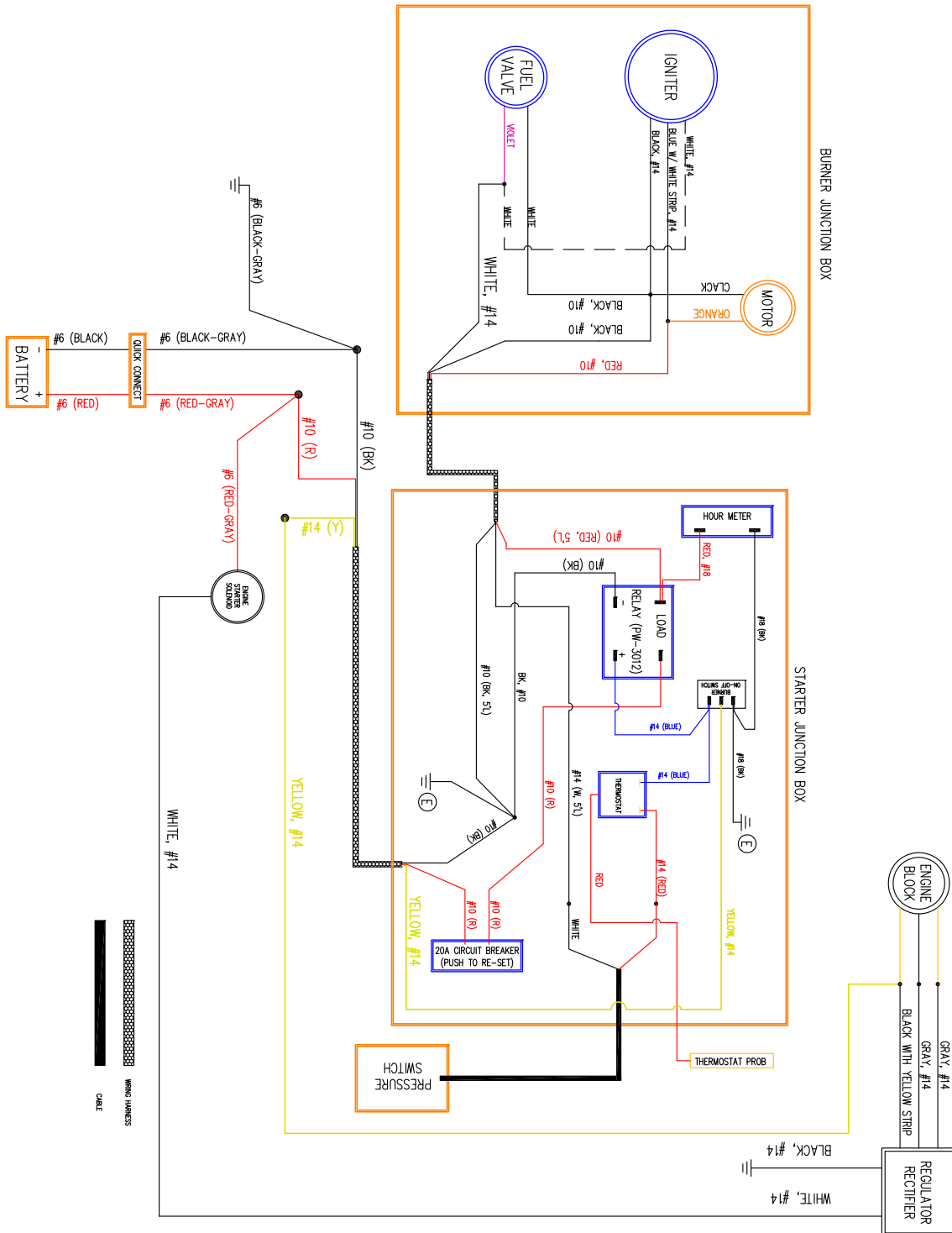
MODEL:HW3024HG12V



PARTS BREAKDOWN HOT WATER PRESSURE WASHER

MODEL:HW3024HG12V

WIRING DIAGRAM



BE

POWER EQUIPMENT

If you need technical assistance call:

1-866-850-6662

(8:00am - 4:30pm PST, Mon - Fri)